

# ONWA®

## AUTOPILOT SYSTEM MODEL KAP-866

### STANDBY MODE

40 50 60 70 80 90 E 100 110 120		
Heading		
<b>080</b>		
Weather	16	Heading
Rudder	10	
Counter	4	
Mode	Man	<b>080</b>
0 20		

### AUTO MODE

40 50 60 70 80 90 E 100 110 120		
Heading		
<b>080</b>		
Weather	16	Set Course
Rudder	10	
Counter	4	
Mode	A	<b>060</b>
0 20		

### FOLLOW UP

40 50 60 70 80 90 E 100 110 120		
Heading		
<b>080</b>		
Weather	16	<b>S20</b>
Rudder	10	
Counter	4	
Mode	FU	Set Rudder
0 20		

### NAV MODE

40 50 60 70 80 90 E 100 110 120		
Heading		
<b>080</b>		
Weather	16	BRG
Rudder	10	
Counter	4	
Mode	Nav	<b>060</b>
0 20		



- Fluxgate heading sensor with high accuracy and stability
- Automatic correction for local magnetic variation
- 4.5 silver bright LCD display
- Off course alarm warns when vessel is not responding to autopilot control
- Navigate with designed route of GPS Navigator
- Timer can be used as an adjustable watch alarm
- Gyro compass input with Gyro converter unit

# SPECIFICATION OF KAP-866

## Functions

1. Auto mode :
  - Change course by panel dial knob
  - Change course by fix or handheld remote (optional)
2. Standby mode
3. GPS Navigation mode
4. Follow UP mode

## Steering system

Hydraulic or electro-mechanical

## Heading sensor

1. Fluxgate heading sensor (standard)
2. Gyro compass thru gyro converter (optional)

## Nav sensor

GPS Navigator: NMEA0183, APA, APB  
(baud rate: 4800)

Heading Input: NMEA0183, HDT, HDG or HDM  
(baud rate: 4800)

## Adjustment of parameters

Weather, Rudder and Counter Rudder from Control menu.

Trim, Rudder Ratio and Rudder Limit from Function menu.

## Alarm

1. Off course alarm: 0~180 degree adjustable
2. watch alarm: 1~60 adjustable watch alarm. will trigger external alarm If not reset within 60 sec.
3. NMEA data alarm: Trigger when lost of NMEA data from GPS Navigator in GPS

## Power Supply

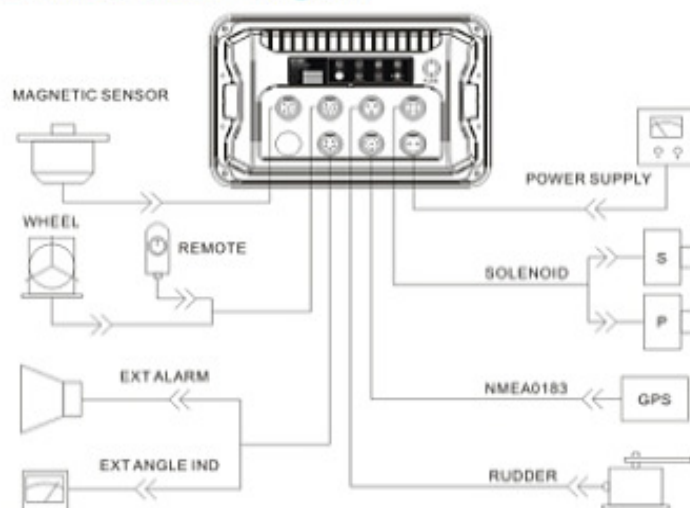
12V or 24VDC, Standby 0.4A, Auto mode 1.0A for control unit only.

## Equipment List

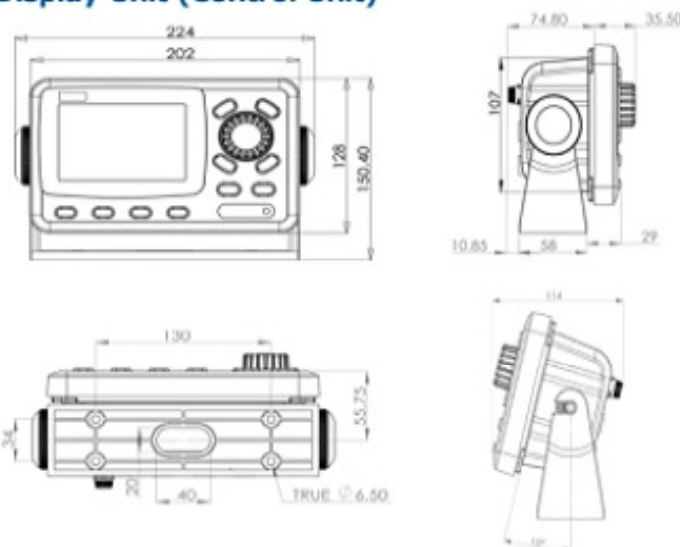
- KAP-866 control unit
- Rudder Feedback unit KRF-36
- Fluxgate heading sensor KFG-25
- Standard accessories
- Standard installation kit
- Operator manual

## Options

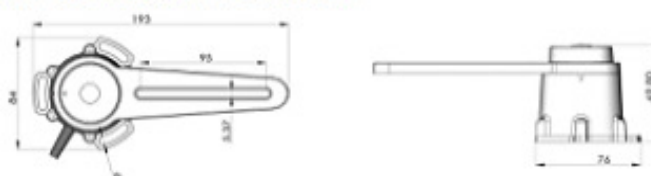
## Interconnection Diagram



## Display Unit (Control Unit)



## KRF-36 Rudder Feedback



## KFG-25 Fluxgate Sensor



Compass Top Sensor



Outdoor Fluxgate Compass



Rudder Indicator



Hand Remote Control



Electric Steering Helm



Gyro to NMEA Converter