




EXPLORER-5 AIS NAVIGATOR

5" COLOR LCD DISPLAY
 INTERGRATED AIS CLASS B TRANSCEIVER
 GPS CHART PLOTTER

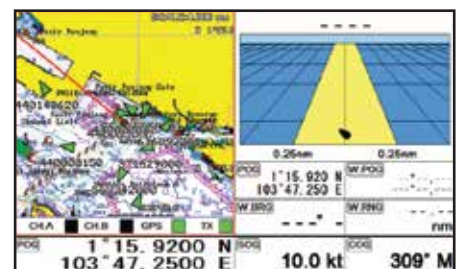
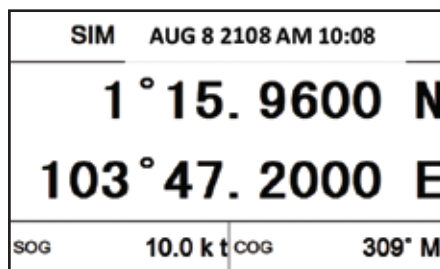
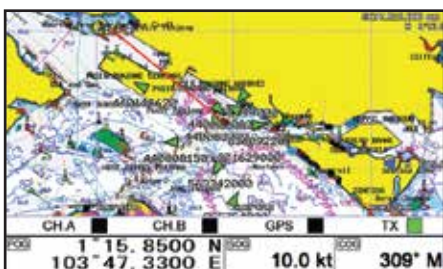
Inspire smart navigation



Features

- ▶ 5" Ultra Bright Color LCD Display with LED Back-light
- ▶ High Speed CPU for fast operation
- ▶ Advanced Chart Plotter Cartography for Safety of Navigation
- ▶ Integrated AIS Class B Transponder
- ▶ Marine Grade suitable for outdoor use
- ▶ Made in Korea 

The Explorer-5 AIS Navigator is a new generation of marine chartplotter integrated with Camino-108 AIS Class B transponder engine certified by German BHS from Alltek Marine Electronics Corp. (AMEC) the world leading AIS Specialist. It is powered by a high performance CPU for faster operation, receiving navigation data from AIS-equipped vessels nearby while at the same time transmits own ship's information to the vessels around that can be utilized to aid in collision avoidance. Explorer-5 is a sunlight-readable 5" screen suitable navigating under the bright sunlight and IP6X for the rugged outdoor marine environment. Its menu is easy to use with support of many different local languages and made-in-Korea for high quality and reliability.



Many different screen layouts are available.

EXPLORER-5 Specification



Product of Singapore

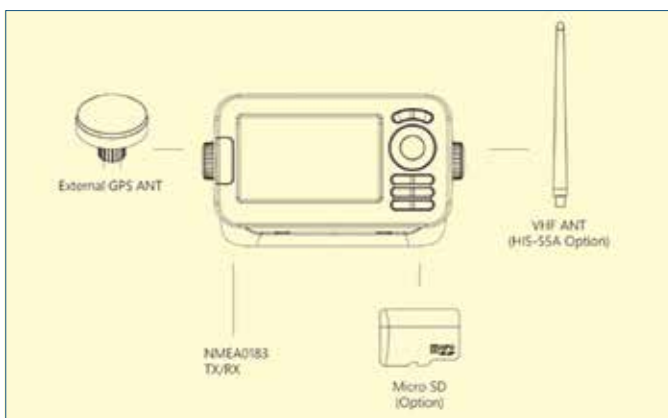
AIS Specification	
AIS Standards	IEC62287-1 Ed 3 IEC 60945 Ed 4. IEC 61108-1 Ed 2. ITU-R M. 1371-5
Frequency Range	156.025MHz to 162.025MHz
Access Scheme	CSTDMA
Channel Spacing	25KHz
Frequency Stability Rate	±10PPM (-20°C ~ +60°C)
Date Rate	9,600 bps
Sensitivity	107 dBm @ 20% PER
Display Status	On, TX, Rx1, Rx2, GPS
Output Power	Up to 5W (37db ±1.5db)
GNSS Specification	
GNSS Receiving Channels	50 channel
Position Accuracy	IEC 61108-1 compliant
Data Update Rate	1 Second
Sensitivity	Acquisition -148 dBm / Tracking -165
GNSS	GPS, GLONASS, QZSS
SBAS	WASS, EGNOS, MASAS, GAGAN
Equipment List	
Explorer-5 Unit	
Operator Manual	
External GPS Antenna	
Power cable	
Mounting Bracket and screw for Explorer-5	
Optional Accessories	
VHF Antenna for AIS communication	

Chart Plotter Specification	
Display Screen	5 inches Color LCD with back-light
Resolution	WVGA (800 x 480)
Display Method	Mercator Projection
Display Mode	True motion/N/S/E/W up/Course up/Head up
SD Card	Available
Latitude Limits	Between 85 °N to 85 °S
Map Scale	0.05nm to 1,500nm
Map Datum	WGS-84
Way point	20,000 points
Track point	50,000 points (2 types)
Route	Max capacity 100 Routes
Draw Point	1,000 points
Area Name	1,000 points
Chart Data	Build-in Map (South East Asia)
Alarm	Arrival, Anchor, XTE, Userline, CPA, TCPA, AIS alarm

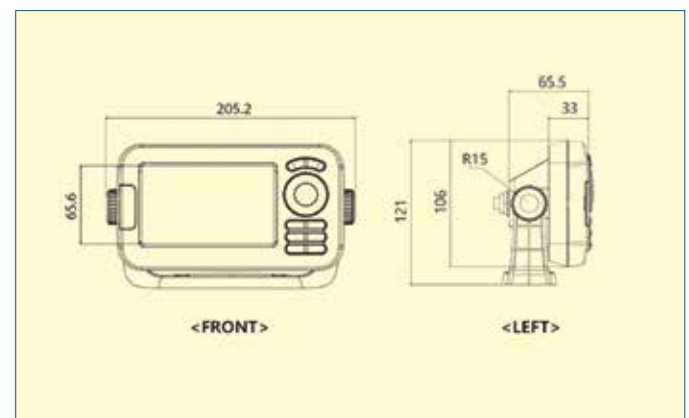
General	
Power Supply	DC 12V ~ 36V (±10%)
Operating Temperature	-15°C ~ +50°C
Performance Standard	IMO Resolution MSC. 112(73)
AIS Antenna Connector	SO-239
GPS Antenna Connector	BNC
Input	NMEA - 0183
Output	NMEA - 0183
Waterproofing	IPX67

Languages Supported
English, Bahasa Indonesia, Bahasa Melayu, Vietnamese, Myanmar, Filipino Tagalog, Thai, Traditional Chinese, and Simplified Chinese.

Interconnection



Dimension



Note: Specification are subject to change without prior notice.



ALLTEK TECHNOLOGY SINGAPORE PTE LTD
 8 Boon Lay Way, #08-10,
 8@tradedhub 21, Singapore 609964
 Office: +65 6425 0088 | Fax: +65 6425 0328
 Email: sales@alltek.sg
www.alltek.sg

Sales Contact

For more information, please contact your local representative.

Distributor / Dealer